

Stock Code: **63146LEDDL-ML/CLR**

Collection: Port Nine Martini

PRODUCT INFORMATION

Base: 63146 Parent: 63146LEDDL
Mounting Type: Ceiling UPC: 641594243772
Finish: Matte Black
Diffuser: Clear

PRODUCT MEASUREMENTS

FIXTURE	BACKPLATE / CANOPY
Length:	Length
Width:	Width:
Diameter 8"	Diameter: 4.5"
Height: 11"	Height: 1"
Extension:	
Overall Height:	

TECHNICAL SPECIFICATIONS

SPECIFICATIONS

Frame Material: Steel
Diffuser Material: Glass
Lamping Type: E-26 (Replaceable LED Jbox: Standard)
Lamping Base: E-26 Lamp Wattage: 9 W
Lamp Quantity: 1 Total Wattage: 9 W
Voltage: 120v Lamps Included: Yes

QUALIFICATIONS

Location Rating: Damp
Certification: ETL (US/Canada) Listed
ADA Compliant: No Energy Star: No
JA8 Compliant: Yes Emergency Lighting: No
Marine Grade: No Warranty: 1 Year

PHOTOMETRICS

Dimmable: Yes Nominal Lumens: 600 Lm
CRI: 90 Delivered Lumens: N/A
CCT: 2700K
Recommended Dimmers:
(TRIAC)LEVITON illumatech IPI06; (TRIAC)LEVITON Trimatron 6684; (TRIAC)LUTRON Skylark CL SCL-153 or SCL-153P;
(TRIAC)LUTRON Ariadni/Toggler TGCL-153P; (TRIAC)LUTRON Diva DVCL-153P

Additional Notes:

Custom Finish 5 Piece Minimum Order Quantity

Project Name: _____

Location: _____

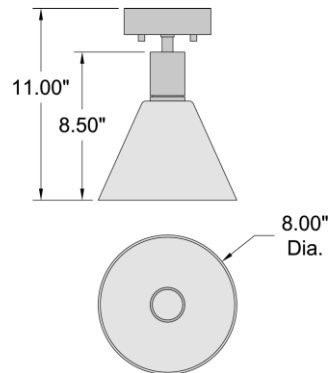
Type: _____

Quantity: _____

Notes:



LINE DRAWING



IES FILE

In addition to Access Lighting's purchase and warranty terms and conditions, by signing below or placing an order, you agree that you are authorized to bind the entity placing any order and acknowledge the following: All of sizes and measurements are approximate and all images are for illustrative purposes only. In the event of an inconsistency, the "Product Measurements" section controls. There also may be slight differences in the colors and designs compared to the displayed and printed images.

Signature: _____

Print Name _____ Date: _____

Toll Free 800-828-5483 www.AccessLighting.com

14410 Myford Road, Irvine, CA 92606

The information is subject to change without notice.

11/8/2022

63146LEDDL-ML_CLR.pdf

